

### LAVATORY FAUCET

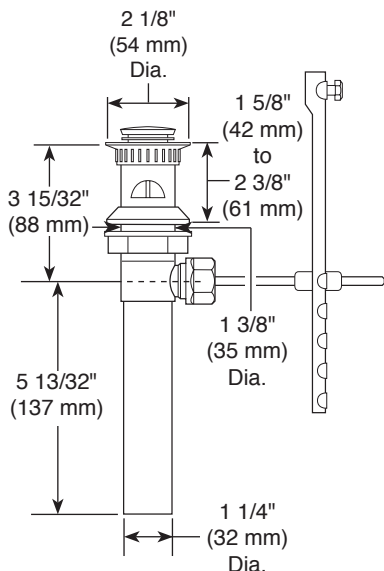
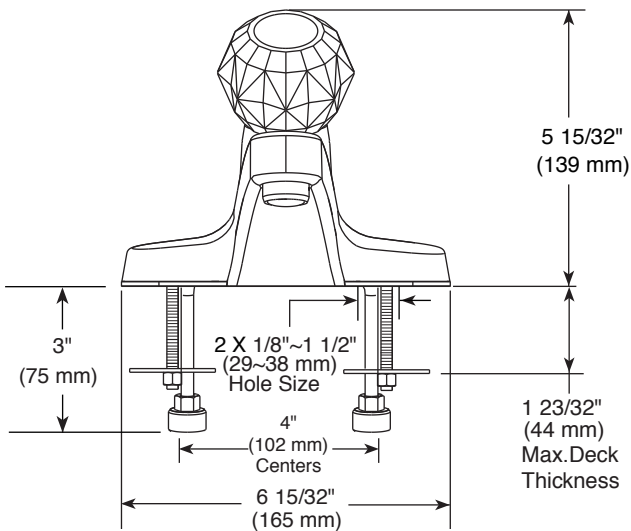
- Single handle, knob, centerset lavatory faucet with plastic pop-up drain assembly.

### STANDARD SPECIFICATIONS:

- Maximum flow rate 1.20 gpm @ 60 psi, 4.54 L/min @ 414 kPa
- Three hole mount
- Control mechanism is the rotating ball type with replaceable non-metallic seats
- Control handle returns to neutral position when valve is turned off
- $\frac{1}{2}$ "-14 NPSM threaded male inlet adapters

### WARRANTY

- Lifetime limited warranty on parts (other than electronic parts and batteries) and finishes; or for commercial users, for 5 years from the date of purchase.
- 5 year limited warranty on electronic parts (other than batteries); or for commercial users, for 1 year from the date of purchase. No warranty is provided on batteries.



### COMPLIES WITH:

- ASME A112.18.1 / CSA B125.1
- ASME A112.18.2 / CSA B125.2
- EPA WaterSense®
- Verified compliant with 0.25% weighted average Pb content regulations.