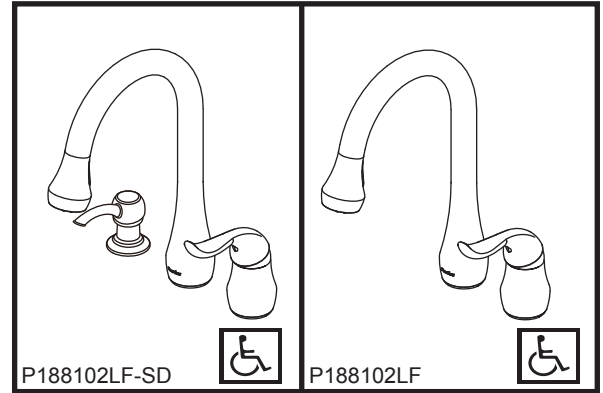
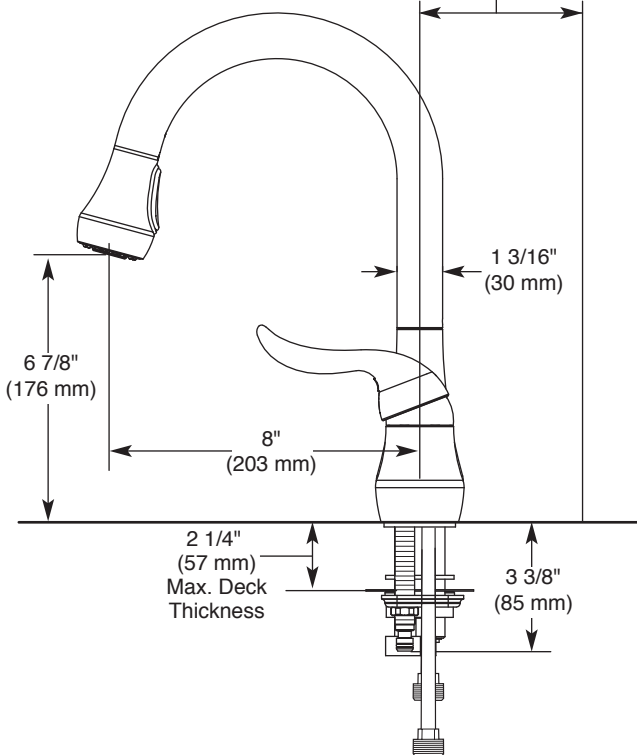


Min. 2 1/2" (64 mm)  
Clearance to Back Splash  
Recommended



## KITCHEN FAUCET

- Single handle, lever, pull-down kitchen faucet, 2-function wand.

## STANDARD SPECIFICATIONS

- Single handle, 2-function pull-down kitchen faucet for exposed mounting on two and three hole sinks.
- 13 3/16" (335mm) high, 8" (203mm) long, spout swings 360°.
- Lever handle. Control mechanism is rotating stainless steel ball type with replaceable non-metallic seats.
- Control shall return to neutral position when faucet is turned off.
- Pull-down wand operates in an aerated or spray mode via a toggle diverter.
- Integral check valves in sprayer assembly.
- Mounting wrench to assist in tightening mounting nut securely.
- Hose travels inside mounting shank so it will not interfere with deck edges.
- 1/2" - 14 NPSM threaded male inlet adapters.
- Model P188102LF-SD includes soap dispenser

## WARRANTY

- Lifetime limited warranty on parts (other than electronic parts and batteries) and finishes; or, for commercial users, for 5 years from the date of purchase.
- 5 year limited warranty on electronic parts (other than batteries); or for commercial users, for 1 year from the date of purchase. No warranty is provided on batteries.

## COMPLIES WITH

- ASME A112.18.1/CSA B125.1
- Indicates compliance to ICC/ANSI A117.1
- Verified compliant with 0.25% weighted average Pb content regulations.

