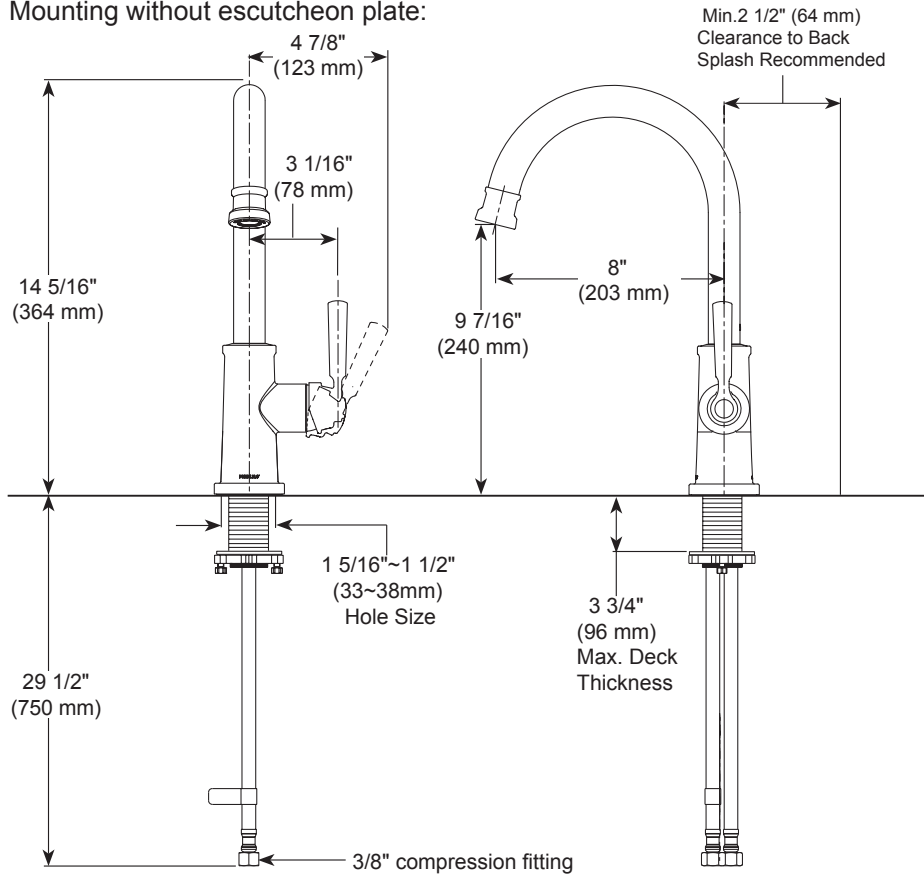


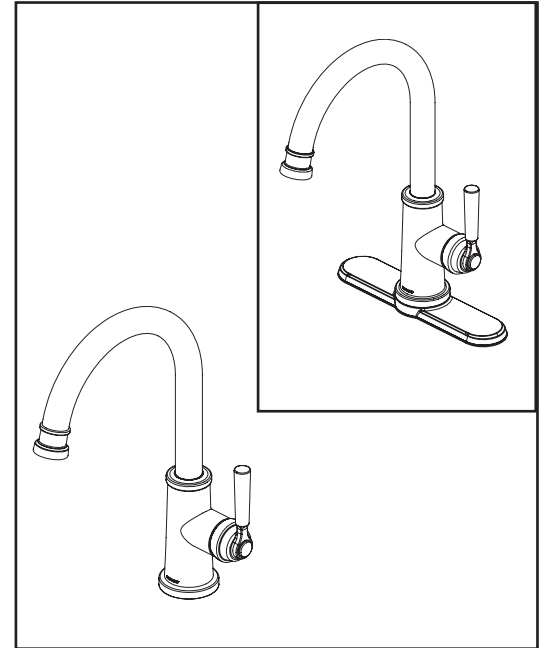
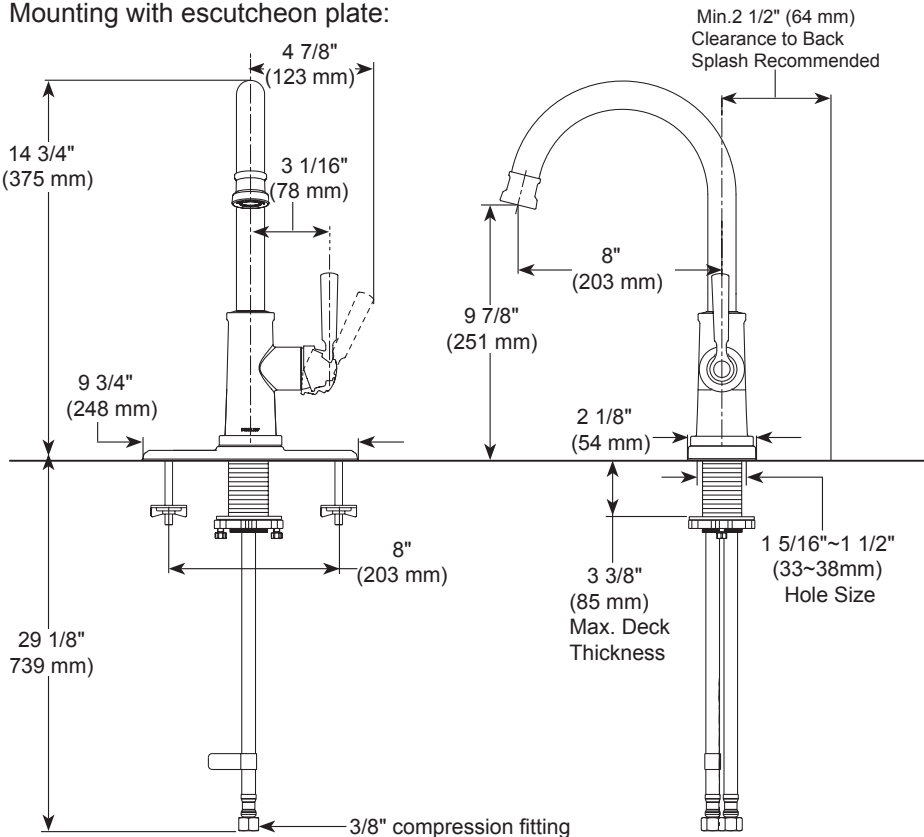
PEERLESS®

P1923LF▲

Mounting without escutcheon plate:



Mounting with escutcheon plate:



KITCHEN FAUCETS

- Single Handle Deck Mount
- 1 or 3 Hole Sink Applications

STANDARD SPECIFICATIONS:

- Maximum 1.5 gpm @ 60 psi, 5.7 L/min @ 414 kPa
- Solid brass casted body
- One or three hole mount (escutcheon optional, not included)
- Ceramic cartridge
- Spout rotates 360°
- Red/Blue indicator markings
- Polymer braided flexible supply hose with 3/8" compression fitting - 29 1/2" (750 mm) long

WARRANTY

- Parts and Finish fi Lifetime limited warranty; or for commercial purchasers, 10 years for multi-family residential (apartments and condominiums) and 5 years for all other commercial uses, in each case from the date of purchase.

COMPLIES WITH:

- ASME A112.18.1 / CSA B125.1
- ☐ Indicates compliance to ICC/ANSI A117.1

▲ Designate proper finish suffix