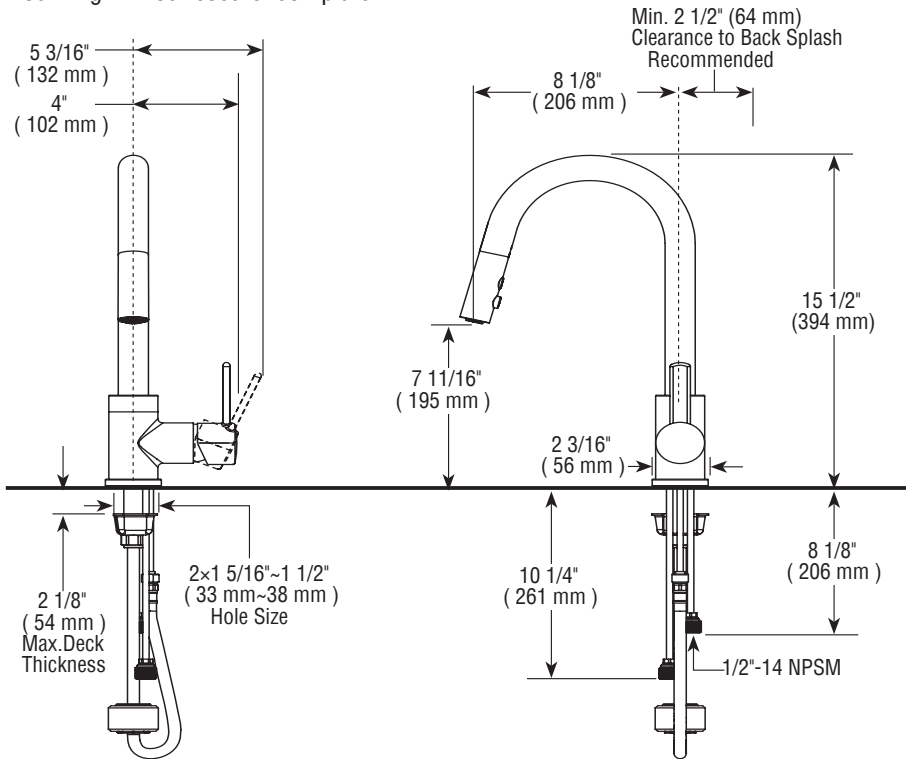
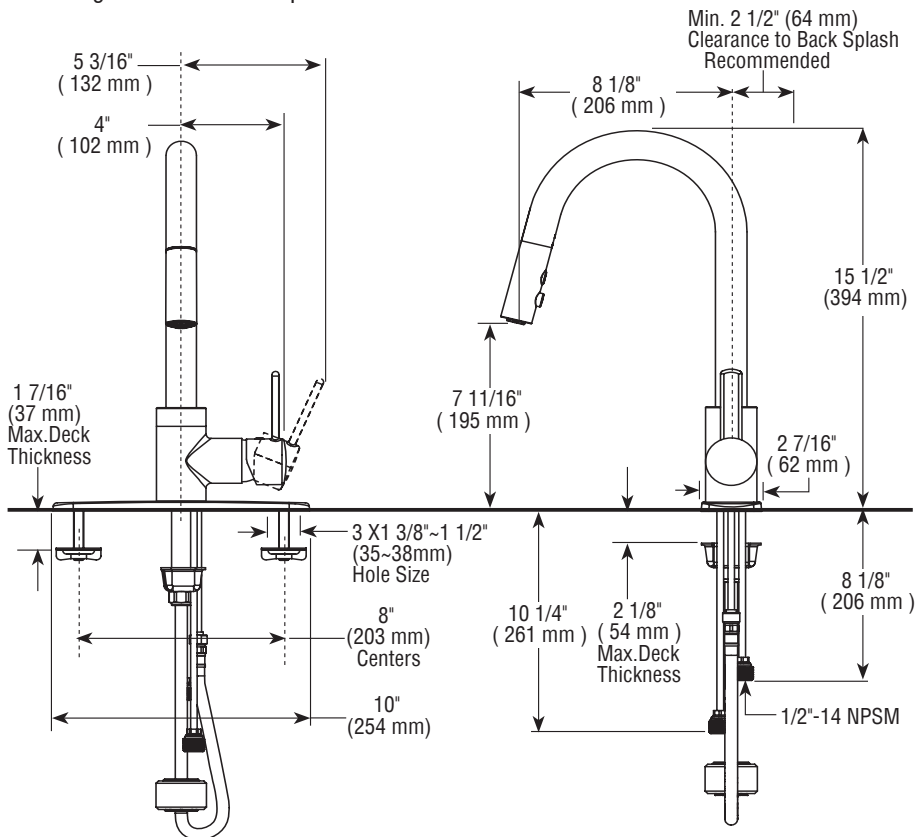


PEERLESS®

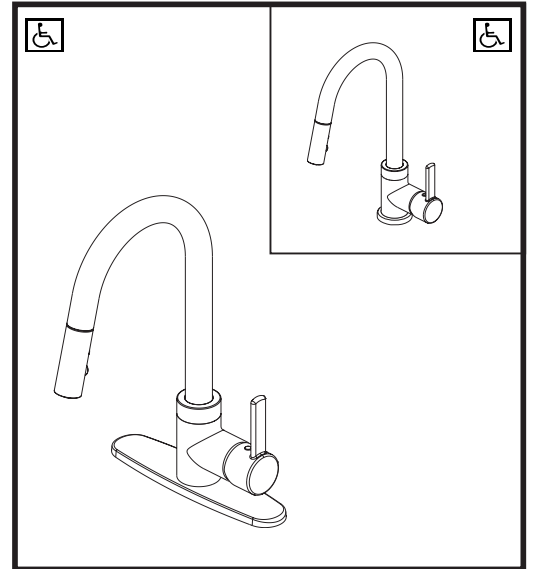
Mounting without escutcheon plate:



Mounting with escutcheon plate:



P188152LF



KITCHEN FAUCET:

- Single Handle Deck Mount
- 1 or 3 Hole Sink Applications


STANDARD SPECIFICATIONS:

- Max. flow rate 1.8 gpm @ 60 psi, 6.8 L/min @ 414kPa
- One or three hole mount (escutcheon included)
- Spout rotates 360°
- Ceramic cartridge
- Pull-down wand operates in an aerated or spray mode via a toggle diverter with 24" (610 mm) hose
- Dual integral check valves in sprayer
- 1/2"-14 NPSM threaded male inlet adapters

WARRANTY:

- Parts and Finish fi Lifetime limited warranty; or for commercial purchasers, 10 years for multi-family residential (apartments and condominiums) and 5 years for all other commercial uses, in each case from the date of purchase.

COMPLIES WITH:

- ASME A112.18.1 / CSA B125.1
-  Indicates compliance to ICC/ANSI A117.1